

# HOGUE®

## ASSEMBLY INSTRUCTIONS FOR BANTAM® GRIPS



**HOGUE, INC.**

Post Office Box 91360  
Henderson, NV 89009

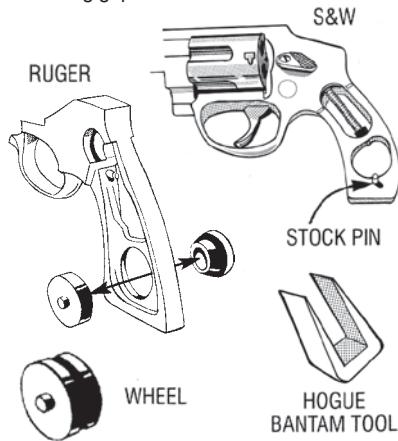
1-800-GET-GRIP (438-4747)

[Hogueinc.com](http://Hogueinc.com)

**IMPORTANT CONSUMER  
AND WARRANTY INFORMATION  
ON BACK OF PACKAGE**

crd\_ins\_brs\_12072015

**1.** Before starting to work, **MAKE SURE THE FIREARM IS UNLOADED.** Remove existing grips.



### IMPORTANT!

Check all functions of your firearm after grips are installed. **Test-fire your firearm.** This is especially important if weapon is to be used for law enforcement duty.

**2A. For S&W models:** Check to see how well the stock pin is centered through the frame. For ease of installation, it is recommended that the "stock pin" be fairly well centered on the frame.

**2B. For Ruger models:** Start by separating the two halves of the grip locating "wheel", then press them back together into the round hole in the firearm's tang. The Ruger grip frame will now have what is the equivalent of a "stock pin."

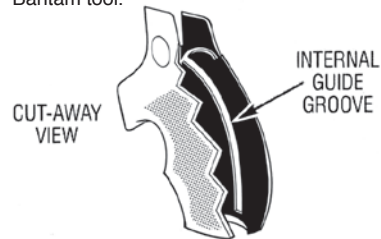


**3.** Using the Hogue Bantam tool, spread the back strap of the grip. Spreading the back strap will **avoid damage** to the leading edges of the rubber by the stock pin.

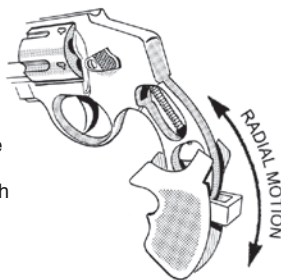
### - WARNING -

The Hogue Bantam rubber grips are designed to comfortably spread enough to clear the firearm's stock pin. Do not excessively spread the grip halves any more than is needed for installation. It can deform or even break your grips.

**4.** Start the stock pin into the internal guide grooves. Then, with a radial motion, slide the grip onto the frame. Remove the Bantam tool.

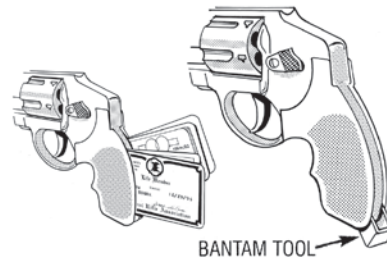


**5.** Continue sliding the grip onto the frame fully until the stock pin "snaps" into the corresponding internal stock pin holes. If necessary, squeeze grip together until slides fit flush with firearm frame.



The grip is now in place and will not come off with normal use.

**6.** It is not necessary to remove Hogue rubber Bantam grip for routine cleaning. If you need to take it off for further maintenance, spread the bottom of the grip with the Hogue Bantam tool. Insert it just to the side or below the stock pin. This action will release the grip from the stock pin. Then simply slide it off while the tool is in place. Be careful not to spread the grip any further than is necessary to disengage the stock pin.



**NOTE:** If your Hogue Bantam tool is not available or is lost, a suitable alternative is to insert credit cards or other non-scratching shims between the frame and grip sides to disengage the stock pin. Add cards per side as necessary to remove the grips. This is an item that is almost always available.

### A FEW WORDS ABOUT FIT

It is a fact that firearm frame dimensions vary from firearm to firearm. No grip is shipped unless it fits and functions on **our** firearms properly. Please keep this in mind.

It is imperative to make sure that every firearm functions properly with after-market grips installed. Although the grip functions properly on our firearms, it is the user's responsibility to check all functions of a firearm after new grips are installed. This is especially important if the weapon is to be used for law enforcement duty. If you do not feel competent to check the proper function yourself, we suggest visiting your gunsmith to check this for you.

**It is important to test-fire a pistol fitted with new grips before using it in the field.**