

# HOGUE®

## OVERMOLDED® TAMER SHOTGUN KIT

### BUTTSTOCK:

1. Remove original buttstock (Fig. 1). Refer to manufacturer's instructions that came with your gun for the best method to remove your stock. Normally the pad is held in place with two Phillips screws and the stock is held on by one bolt. Remove the butt pad by unscrewing the Phillips screws and remove the stock bolt to free the stock from the shotgun.

2. Attach new Tamer grip using the provided bolt and tighten securely (Fig. 2). Remington models require supplied washer to be used between the bolt and the grip.

### FOREND:

Refer to manufacturer's instructions that came with your gun for the best method to remove your forend. Shotguns generally have some type of retaining nut that must be removed to free the barrel and another to free the forend (Fig. 3).

1. Remove the barrel retention nut.
2. Remove barrel from action.
3. Remove forend nut by turning with an appropriate tool.
4. Forend will now slide freely off and detach from slide handle.
5. Slide Hogue forend back onto slide handle. Reassemble in reverse order, tightening the nut according to the manufacturer's recommendations.

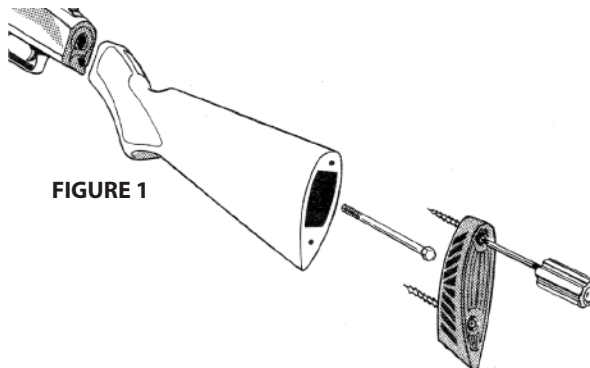


FIGURE 1

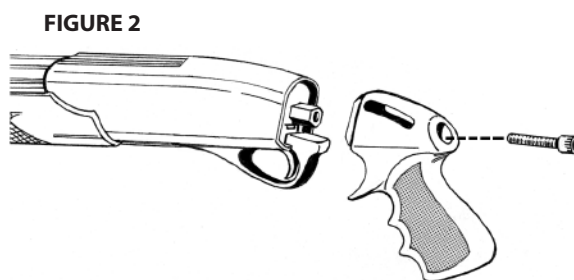


FIGURE 2

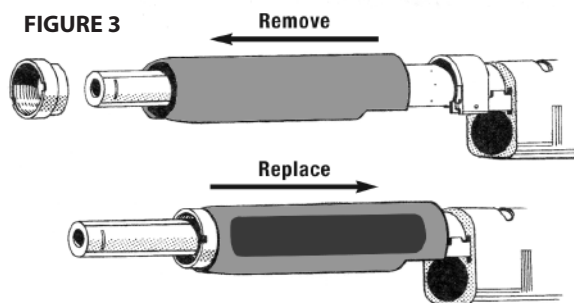


FIGURE 3

#### \*Mossberg and Winchester Forends:

*Additional parts may be necessary to install your Hogue forend.*

Please refer to the Mossberg 500 and Winchester 1300 Action Bar Length Charts at [www.Hogueinc.com](http://www.Hogueinc.com) for specific installation instructions for these models.

### IMPORTANT INFORMATION ABOUT YOUR HOGUE PRODUCT

This Hogue product should only be used with the specific firearm for which it was designed. Before installing this product, be sure your firearm is unloaded by visually and physically inspecting it in accordance with the manufacturer's instructions and basic firearm safety rules. Read, understand and follow the installation instructions and warnings provided with this product. Check all functions of your firearm after this product is installed and before loading the firearm with live ammunition. If you do not feel competent to perform these checks your local gunsmith can do them for you. Finally, it is important to test fire the firearm after installation of this product but before use in the field to be certain it functions properly and you can handle the firearm safely.

All firearms are potentially dangerous; their handling and use may cause property damage, serious personal injury or death. It is your responsibility to safely store, transport, handle, operate and use your firearm. Proper training is available through accredited firearm safety programs.

### CUSTOMER SATISFACTION

Customer satisfaction is our number one priority. If you are not completely satisfied with your Hogue product for any reason please do not hesitate to contact us, we will do our absolute best to assist you. You may, with original proof of purchase, return it to the place of purchase within thirty (30) days for a refund or replacement. Products must be returned with original packaging and all their components.

### WARRANTY DISCLAIMER

Due to manufacturing variations in firearms, we do not warrant that this product will function correctly with any specific firearm. Accordingly, this product is sold "AS IS" and "WITH ALL FAULTS." TO THE EXTENT ALLOWED BY LAW, WE SPECIFICALLY DISCLAIM ANY EXPRESS OR IMPLIED WARRANTIES, INCLUDING, BUT NOT LIMITED TO, WARRANTIES OF MERCHANTABILITY AND FITNESS FOR A PARTICULAR PURPOSE.

# HOGUE®

HOGUE, INC.

PO Box 91360, Henderson, NV 89009  
800-438-4747 (800-GET-GRIP) • [www.Hogueinc.com](http://www.Hogueinc.com)